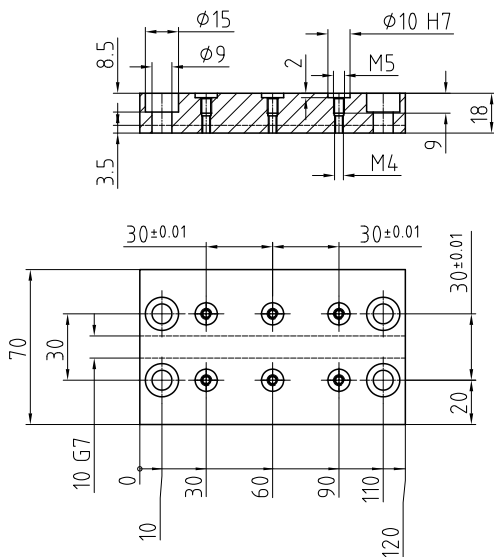


# Basic Elements

## FP 6/8/10 Fixing Plate

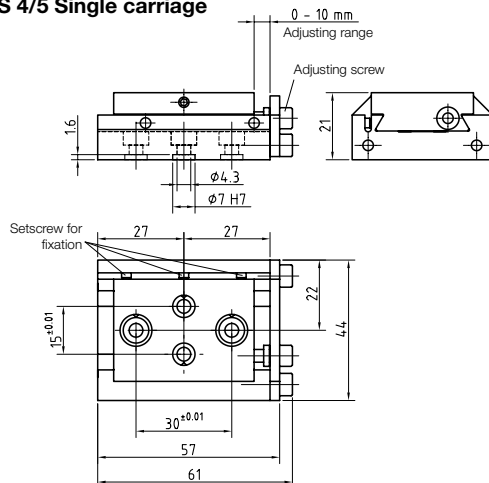


Positive interlocking, variable adjustment between grid spacing.  
 Linear range of adjustment 30 mm.  
 Use in combination with JB 6 / 8 / 10 for assembly of LM 4 / 5 / 6.

Designation	Order number
-------------	--------------

FP 6/8/10	300 2488
-----------	----------

## ES 4/5 Single carriage

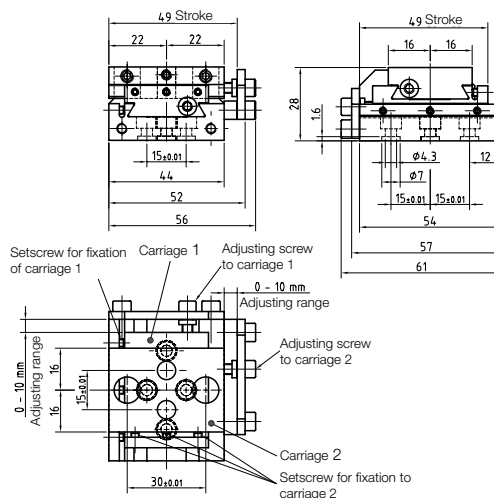


Application:  
 Vernier adjustment of rotary modules and grippers.  
 Adjusting range +/- 5 mm.  
 Max. permissible mass m 4 kg.  
 Consistent with:  
 - PG 4/5; WG 4/5  
 - DM 4/5 AE

Designation	Order number
-------------	--------------

ES 4/5	303 1666
--------	----------

## KS 4/5 Compound slide rest



Application:  
 Vernier adjustment of rotary modules and grippers.  
 Adjusting range +/- 5 mm.  
 Max. permissible mass m 4 kg.  
 Consistent with:  
 - PG 4/5; WG 4/5  
 - DM 4/5 AE

Designation	Order number
-------------	--------------

KS 4/5	303 1672
--------	----------

Overview

Linear Axes  
pneum. / electr.

Linear Modules  
pneum. / electr.

Linear Modules  
with Intermediate  
Positions

Rotary Modules

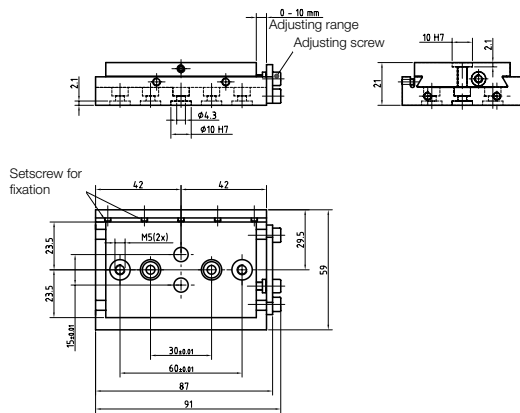
Grippers

Basic Elements

Accessories

# Basic Elements

## ES 6/8 Single carriage

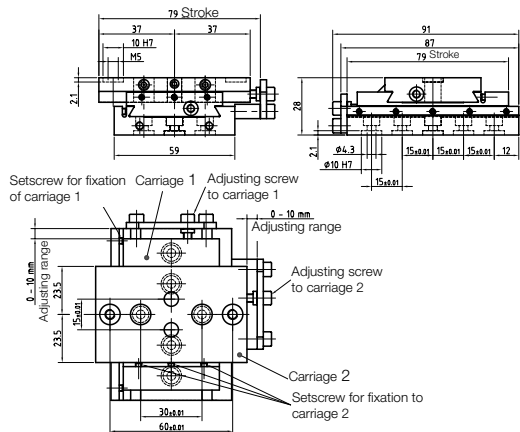


Application:  
 Vernier adjustment of rotary modules  
 and grippers.  
 Adjusting range +/- 5 mm.  
 Max. permissible mass m 8 kg.  
 Consistent with:  
 - PG 6; WG 6  
 - DM 6 AE

Designation	Order number
-------------	--------------

ES 6/8	303 1676
--------	----------

## KS 6/8 Compound slide rest



Application:  
 Vernier adjustment of rotary modules  
 and grippers.  
 Adjusting range +/- 5 mm.  
 Max. permissible mass m 8 kg.  
 Consistent with:  
 - PG 6; WG 6  
 - DM 6 AE

Designation	Order number
-------------	--------------

KS 6/8	303 1679
--------	----------