

Rotary Modules

Technical Data – Summary Rotary Modules with external stop

	DM 4-90 AE	DM 4-180 AE	DM 5-90 AE	DM 5-180 AE	DM 6-90 AE	DM 6-180 AE
Angular range of rotation [°]:	0-90°	0-180°	0-90°	0-180°	0-90°	0-180°
Torque M [Nm]:	0,43	0,43	1,08	1,08	3,42	3,42
Axial load Fa [N]:	50	50	200	200	300	300
Radial moment Mr [Nm]:	2	2	10	10	15	15
*Mass moment of inertia [kg cm²]	see diagramme					
Cylinder diameter:	2xØ10	2xØ10	2xØ14	2xØ14	2xØ25	2xØ25
Air consumption per cycle at						
Nominal stroke [Nl]:	0,02/0,03	0,03/0,04	0,05/0,06	0,08/0,09	0,15/0,2	0,25/0,3
Weight DM/DMZ	0,3	0,3	0,8	0,8	1,6	1,6

Rotary modules may only be operated with outgoing air choke.

For all modules

Pneumatic connection: M5

Operating pressure: 4-7 bar

Temperature range: 0-60°C

Repeatability: +/- 0,05°

Angular range

of rotation: 45-100°

variably adjustable

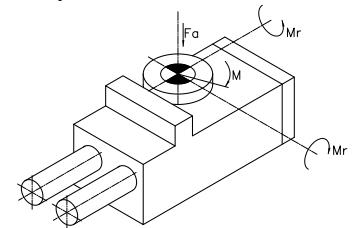
145-190°

variably adjustable

Rotary Module 4/5/6 AE



Torques



Description for the DM 90° AE

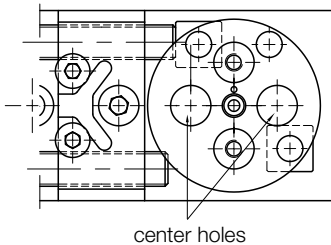
Important:

At the operation of the DM 90° AE you have to turn your attention on the mounting position! The DM 90° AE are going to be delivered in the position 0°, so that the center holes are horizontal to the axis and 90° turn clockwise (see position 90°).

If the DM 90° AE has to turn counterclockwise, the center holes are at right angles to the axis!

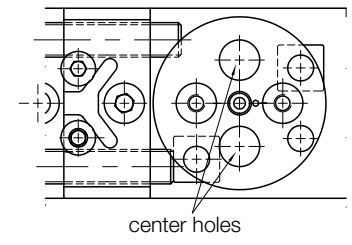
This have to be respected stringently for the Positioning/Mounting of grippers etc.

**Rotary Module 4/5/6 90 AE
Position 0°**



center holes

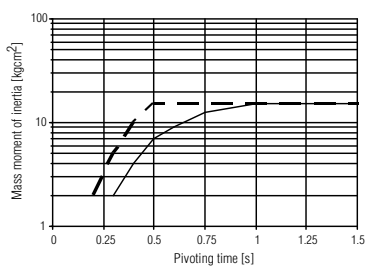
Position 90°



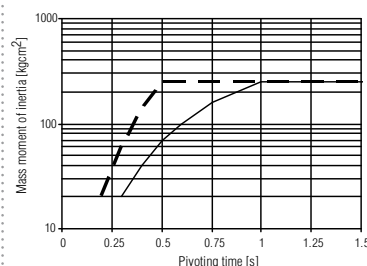
center holes

Permissible pivoting time dependent on the mass moment of inertia

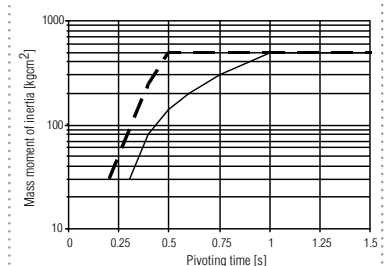
DM 4 AE



DM 5 AE



DM 6 AE

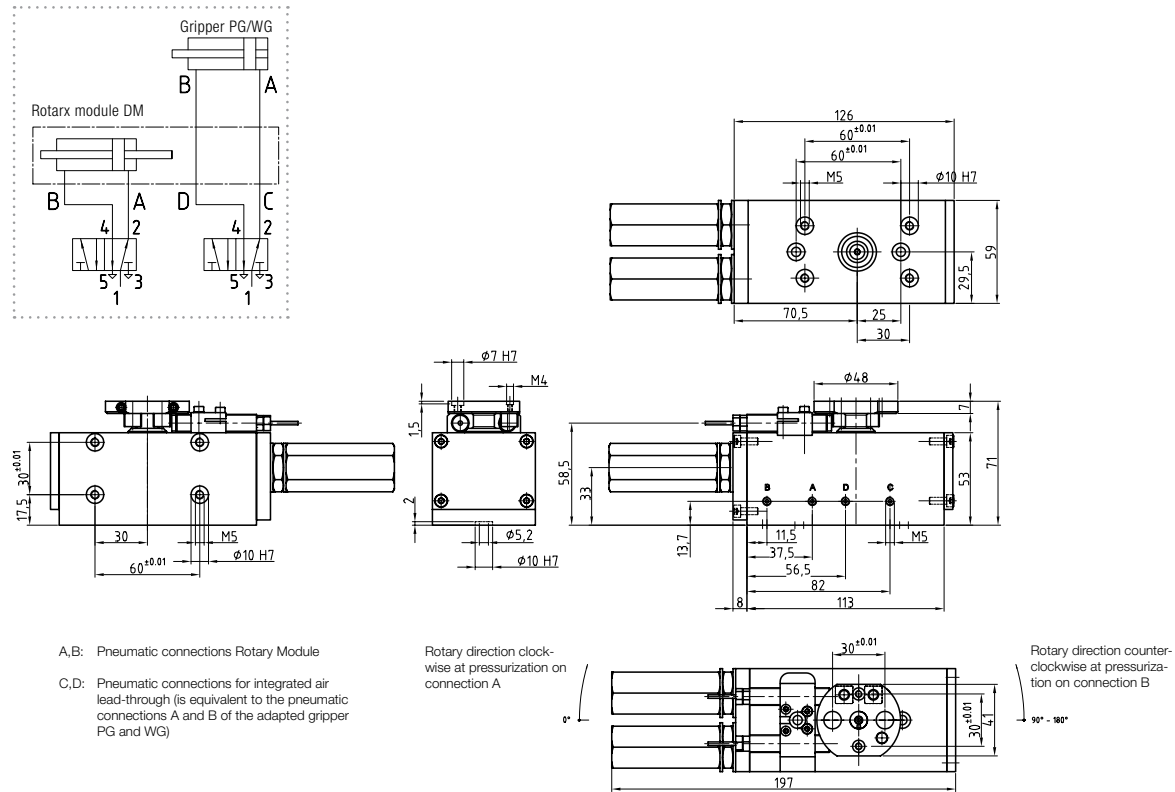


--- 90° ——— 180°

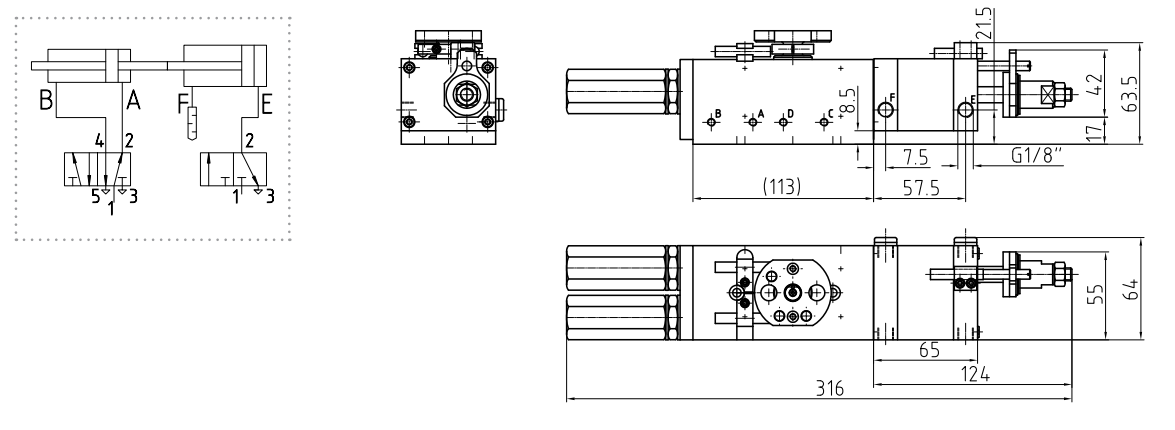
Drehmodule

DM 6 AE / DM 6 Z – Pneumatic Rotary Modules

Dimensional drawing and pneumatic diagram DM 6 AE



Dimensional drawing and pneumatic diagram DM 6 Z



Designation	Order number	Accessories	Order number	Options
DM 6-90 AE	300 5290	Centering ring Ø 7	300 1521	Grippers see page 98
DM 6 Z-90	300 5002	Centering ring Ø 10	300 1522	
DM 6-180 AE	300 5289	Limit switch Ø 3	300 3162	
DM 6 Z-180	300 5003	Limit switch Ø 6,5	300 1845	
incl. 2 hydr. shock absorbers, 2 centering ring Ø 10		Shock absorber	300 1636	
		Control cam 0-90°	300 2476	
		Control cam 0-180°	300 2477	
		Intermediate stop DZ 6	300 5061	
		See chapter Accessories		