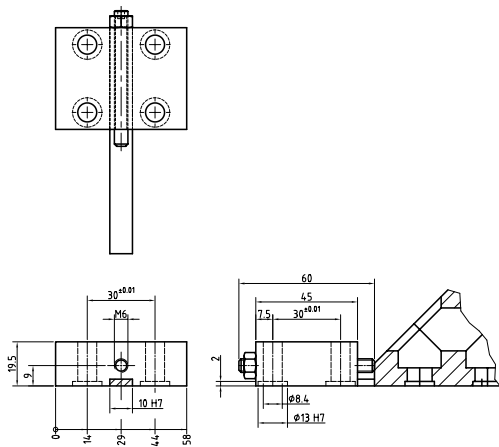


Basic Elements

JB 6/8/10 Adjustment Block

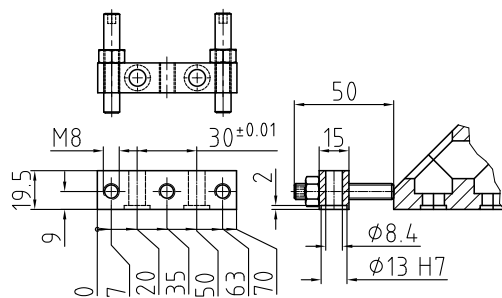


Positive interlocking, variable adjustment between grid spacing.
 Linear range of adjustment 30 mm.
 Use in combination with AW 4, AW 5/6, AW 6/8 or FP 6/8.
 Centering ring $\varnothing 13$ mm

Designation	Order number
-------------	--------------

JB 6/8/10	300 4987
-----------	----------

AB 6/8/10 Stop Block

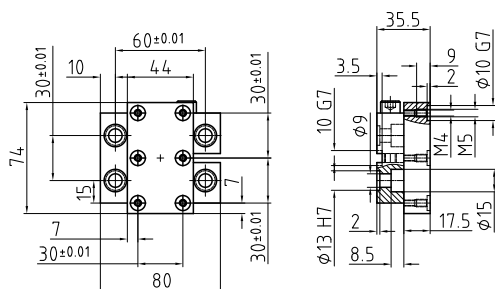


Variable adjustment between grid spacing.
 Adjustment range 30 mm.
 Centering ring $\varnothing 13$ mm

Designation	Order number
-------------	--------------

AB 6/8/10	300 4969
-----------	----------

AZ 6/8/10 Add-on Plug



Variable adjustment of the angle between two components.
 Adjustment range 0-360°.
 Centering ring $\varnothing 13$ mm

Designation	Order number
-------------	--------------

AZ 6/8/10	300 4970
-----------	----------